

Installation Manual For COOLEX All In One Solar Street Light

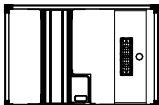


1. Instruction

This model includes solar panel, lithium battery, controller and LED light source. It is easily assembled according to the product label. This model is made of LED module, and replacement is simple.

2. Application

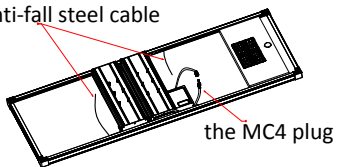
Mainly used for lighting in public places such as countryside roads, urban main roads or slow traffic roads, branch roads, tourism areas, parking lots, parks and public squares.

3. Specification

Lamp Photo			
Model No.	KY-Y-YJ-001	KY-Y-YJ-002	KY-Y-YJ-003
Module Quantity	1PCS	2PCS	2PCS
Solar Panel	18V/130W Mono PV	36V/260W Mono PV	36V/260W Mono PV
Lithium Battery	LiFePO4 12.8V/80AH	LiFePO4 25.6V/60AH	LiFePO4 25.6V/80AH
Rated power	60W	80W	120W
Color Temperature	<input type="checkbox"/> 3000K <input type="checkbox"/> 4000K <input type="checkbox"/> 5000K <input type="checkbox"/> 5700K <input type="checkbox"/> 6000K		
Light Efficiency	130-170LM/W		
CRI	Ra≥70		
Working Environment	-10℃~+60℃, 10%-90%RH		
Mounting Height	6-8m	8-10m	10-12m
Lamp Dimension	1010x680x90mm	1980x680x90mm	1980x680x90mm
IP Rate	IP65		
Installation Diameter	∅89	∅102	∅102
Wind Resistance	40M/S	40M/S	40M/S
Lamp Weight	25KG	41KG	44KG
Packing Dimension	1087x730x217mm	2057x730x217mm	2057x730x217mm

4. Installation Process

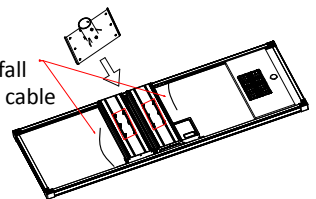
1 the anti-fall steel cable



the MC4 plug

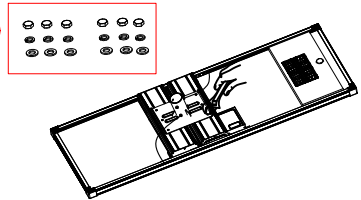
Insert the MC4 plug to check whether the system is normal.

2 the anti-fall steel cable



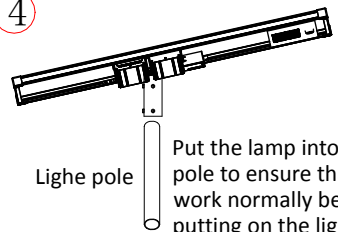
Align the sleeve fixing hole with the screw hole and place it.

3



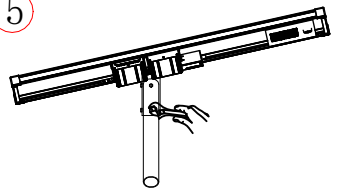
Install the anti-fall steel cable on the mount and fix the six hexagonal nuts, spring washers and flat washers with a wrench.

4



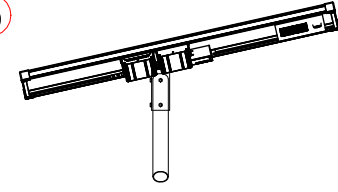
Put the lamp into the light pole to ensure that it can work normally before putting on the light pole.

5



Tighten the six fastening screws with a wrench to fix the lamp.

6



The light pole is erected and the installation is complete.

There isn't anti-fall steel cable for KY-Y-YJ-001, pls skip this step.

Method to check whether the lamp is working normally:

1. The whole process should be handled with care, pay attention to personnel safety and product integrity.
2. Unbox the lamp, find non transparent sheet to cover the solar panel, so that it cannot be penetrated by light.
3. Turn on the switch and wait for 10S to start the discharge mode, in the discharge mode the LED indicator light should be always "ON" and the LED light source should be always "ON".
4. After the LED light source was turned on normally, remove the cover off the solar panel, aim the solar panel at the sunlight or any other strong lighting source, and wait for 10 seconds to start the charging mode. During the charging mode the indicator light should start flashing slowly and the light source goes off.
5. If the previous steps were going well, it means your product has no problem and it's okay to be installed.

Indicator Signal Explanations:

1. Constantly ON, indicating that the battery is working normally and/or the LED light source is ON
2. OFF, indicating that the battery is not working or the system was switched OFF
3. Slow flashing, indicating that the system is charging
4. Fast flashing, indicating that the system is malfunctioning

5. Precautions:

1. The product must be properly packaged while transportation to avoid collisions;
2. The controller debugging should be operated in accordance with the manufacturer's instruction book;
3. The working voltage of this type of lamp was designed based on the product specification showed on the product label, changing this voltage will cause damage to the product;
4. The maintenance or replacement of lamps requires qualified persons to replace them to avoid danger;
5. The installation location should avoid all kind of shades obstructions, such as high buildings, trees, wires, etc., ensure that the solar is facing to a sufficient sunlight;
6. If the product has not been used for more than three months, it should be recharged for two days under sufficient sunshine before use to ensure the best performance of the product;
7. In areas with less rain, it is recommended that the panels get cleaned once a month, as well as the areas with large amount of dust fall, clean the solar panel more frequently in the dusty places according to the level of dust.

SOKOYO reserves the right to improve the product. We will not notify if this product is improved in the future.