

SOKOYO[®]

AMBO SERIES
Solar street light

SOLAR STREET LIGHT



Appearance Patent Number: 201830096429.4



China free hot line: 0086-514-8216-6606
Tel: 0086 514 87914128
Web: www.sokoyosolar.com
Factory address: #3 district, Guoji Industrial park, North suburb, Yangzhou, Jiangsu Province, China
Sales Headquarter: Floor 4, Building 2, Guotai Building, No. 440, West Wenchang Road, Hanjiang District, Yangzhou city



FRONT



RIGHT



TOP

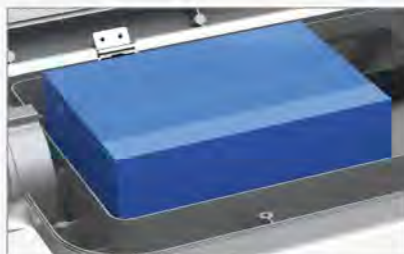
BEAUTIFUL CURVED DESIGN DYNAMIC PATENTED DESIGN EFFECTIVE ENERGY SAVING

Ambo series LED street light combines green lighting, energy saving and environmental protection, as well as the decoration of the city landscape and is designed as a simple and smooth shape, compact LED street lamp, which is suitable for the road lighting in cities, villages, industrial parks and other places.



Bat-Wing Type Light source

The lens is imported from Japan Teijin brand. 1225Z is of high strength and high adaptability.



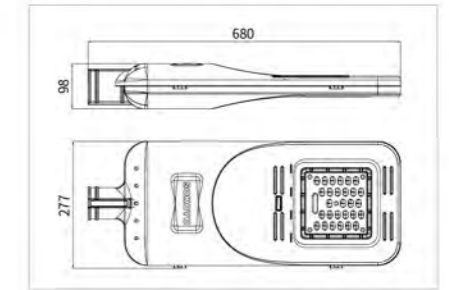
Built-in lithium iron phosphate battery

High efficiency, light and convenient, long life span. High efficiency, light weight and long service life. Inhibits battery polarization, reduces thermal effect and improves rate performance.



Radiator hole design

Good heat dissipation; ADC12 high pressure die-casting aluminum, impact resistant and corrosion resistant. Electrostatic plastic spraying treatment after surface shot blasting.



KY-E-JX DC

AMBO Low cover-All-in-two solar street light



Patented design with Easy-open end, convenient maintenance; Bat-wing type light source to make a more uniform light distribution; Intelligent control system to customize illumination and reduce the power consumption.

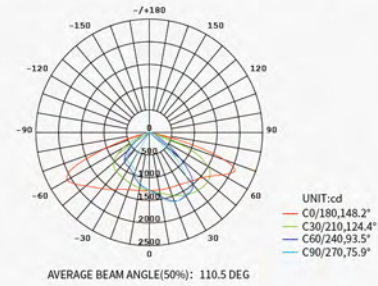
Product Model	KY-E-JX-001
Rated Power	30W
System Voltage	DC12V
Lithium Battery	12.8V/30AH 384WH
Suggested Solar Panel	Mono-crystalline 60W/18V
Light Source	LUMILEDS 3030/5050
Light Distribution	Bat-Wing light distribution (150°x75°)
Light Efficiency	≥130LM/W
Color Temperature	3000K/4000K/5700K/6500K
CRI	≥Ra70
IP Rate	IP65
IK Rate	IK08
Working Temperature	-10°C~+60°C
Product Weight	6.5kg
LED Lifespan	>50000H
Controller	12V/10A
Mount Diameter	φ60mm
Lamp Dimension	680x277x98mm
Package Dimension	730x310x148mm (1pc/CTN)
Suggested Mount Height	6m/7m

LIGHT DISTRIBUTION CURVE

Street Light Intensity Test Report(30W Parameter)

DATA OF LAMP		PHOTOMETRIC DATA		Eff:157.29lm/W	
MODEL	KY-E-JX-001	Imax (cd)	2096	η street up (%)	0.4
NOMINAL POWER (W)	30	LOR (%)	100.0	η street down (%)	53.27
RATED VOLTAGE (V)	30	TOTAL FLUX (lm)	4719	η house up (%)	0.3
NOMINAL FLUX (lm)	4718.61	MAXIMUM θ (C, γ)	180°, 60.0°	η house down (%)	45.6
LAMPS INSIDE	1	η up (%)	0.7	76 FLASHAREA (㎡)	
TSET VOLTAGE (V)	29.82	η down (%)	99.3	STL	

Meridian Light Distribution Curve(30W Parameter)



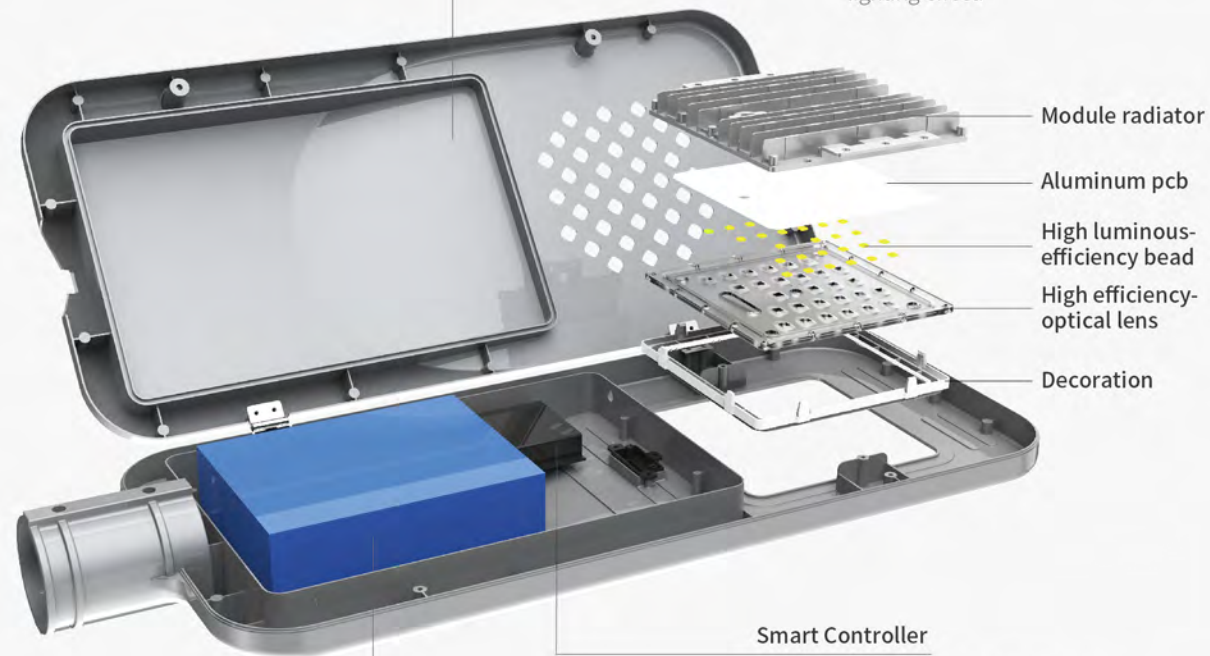
PRODUCT STRUCTURE DISPLAY

High-pressure die-cast aluminum lamp body

Adopting ADC12 high pressure die cast aluminum molding, impact resistance, corrosion resistance, electrostatic spray treatment after surface shot blast.

High efficiency light source module

Specially tailored patent lens for large scale Improve the lighting effect, so that the uniformity of illumination Better and better improve the road lighting effect.



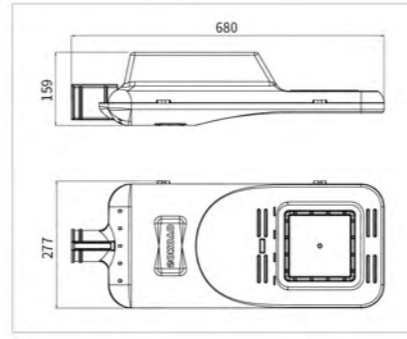
Smart Controller

With intelligent control of lighting time, overcharge, over discharge, electronic short circuit, overload protection, anti-reverse connection protection and other functions, it can adapt to cold, high temperature, humidity and other environments.

LiFePo4 Battery

Recycle more than 1000 times, reliable and safe, no explosion and fire; High temperature resistance, large capacity, green environmental protection





KY-E-JX DC
AMBO High cover-All-in-two solar street light



Patented design with Easy-open end, convenient maintenance;
Bat-wing type light source to make a more uniform light distribution;
Battery compartment can store lithium battery of large capacity to prolong the illumination time;
Intelligent control system to customize illumination and reduce the power consumption.

Product Model	KY-E-JX-002
Rated Power	60W
System Voltage	DC24V
Lithium Battery	25.6V/30AH 768WH
Suggested Solar Panel	Mono-crystalline 180W/36V
Light Source	LUMILEDS 3030/5050
Light Distribution	Bat-Wing light distribution (150°x75°)
Light Efficiency	≥130LM/W
Color Temperature	3000K/4000K/5700K/6500K
CRI	≥Ra70
IP Rate	IP65
IK Rate	IK08
Working Temperature	-10°C~+60°C
Product Weight	10.5kg
LED Lifespan	>50000H
Controller	24V/15A
Mount Diameter	φ60mm
Lamp Dimension	680x277x159mm
Package Dimension	730x310x210mm(1pc/CTN)
Suggested Mount Height	8m

LARGER BATTERY COMPARTMENT
MORE CAPACITY LONGER BATTERY LIFE

In order to meet the customer's requirements for high-capacity battery life, we have developed a high-cover AMBO on the basis of the low-cover AMBO, which not only ensures the shape, but also meets customer needs.





KY-F-JX DC
AMBO Split type Solar light



Patented design with Easy-open end, convenient maintenance;
Bat-wing type light source to make a more uniform light distribution;
Intelligent control system to customize illumination and reduce the power consumption.

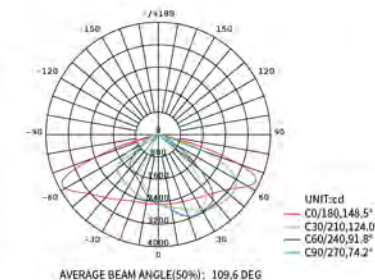
Product Model	KY-F-JX-001
Rated Power	60W
System Voltage	DC12V/24V
Lithium Battery	12.8V/60AH 768WH
Suggested Solar Panel	120W/18V
Light Source	LUMILEDS 3030/5050
Light Distribution	Bat-Wing light distribution (150°x75°)
Light Efficiency	≥130LM/W
Color Temperature	3000K/4000K/5700K/6500K
CRI	≥Ra70
IP Rate	IP65
IK Rate	IK08
Working Temperature	-10°C~+60°C
Product Weight	3.8kg
LED Lifespan	>50000H
Controller	12V/24V 15A
Mount Diameter	φ60mm
Lamp Dimension	680×277×98mm
Package Dimension	730×310×148mm (1pc/CTN)
Suggested Mount Height	7m~8m

LIGHT DISTRIBUTION CURVE

Street Light Intensity Test Report(60W Parameter)

DATA OF LAMP		PHOTOMETRIC DATA			
MODEL	KY-F-JX-001	lm _{max} (cd)	3877	η street up (%)	0.4
NOMINAL POWER (W)	60	LOR (%)	100.0	η street down (%)	54.9
RATED VOLTAGE (V)	48	TOTAL FLUX (lm)	9028	η house up (%)	0.3
NOMINAL FLUX (lm)	9028.09	MAXIMUM θ (C, Y)	180°, 60.0°	η house down (%)	44.4
LAMPS INSIDE	1	η up (%)	0.6	76 FLASHAREA (m ²)	
TSET VOLTAGE (V)	49.8	η down (%)	99.4	STL	

Meridian Light Distribution Curve(60W Parameter)



COMPONENT SELECTION TABLE



Optical storage unit

The all-in-one optical storage device is a charging device for solar street lights that combines solar panels, lithium batteries and controllers. During the day, solar radiation is received through the solar cell module, which converts the light energy into electricity and continuously charges the battery under the management of the controller. Installation is simple, convenient and quick.

Product Model	System voltage	Panel specification	Battery specification
KY-GC.TYN-060.12-3D	12	Mono-crystalline 18V/120W 680x1010	12.8V/60AH



Monocrystal solar panels

The photoelectric conversion efficiency of monocrystalline silicon solar cells is 15-24%, which is the highest in all kinds of solar cells at present. Because monocrystalline silicon is usually sealed with toughened glass and waterproof resin, it is strong and durable, with a service life of 15 to 25 years.

Product Model	Rated Power	Working voltage	Working current	Open Circuit Voltage	Short Circuit Current	L(mm)	W(mm)	H(mm)	Weight(kg)
S-120.18-B1010	120	18	6.67	21.6	7.34	680	1010	35	7.9



Built-in lithium iron phosphate battery pack

Good safety performance, light weight, large battery capacity, good circulation performance, flexible design.

Product Model	Specification	Voltage	L(mm)	W(mm)	H(mm)	Weight(kg)
C1-60.12	60AH	12.8V	390	169	120	6.1



Built-in lithium iron phosphate flat head battery

Mature automatic production technology, high yield of products, and more deep cycles of the cell.

Product Model	Specification	Voltage	L(mm)	W(mm)	H(mm)	Weight(kg)
C2-60.12	60AH	12.8V	450	169	120	8.8

